

# PM-3SA96 / PM-3SV96

## DIGITAL AMMETER / DIGITAL VOLTMETER

### 1. INTRODUCTION

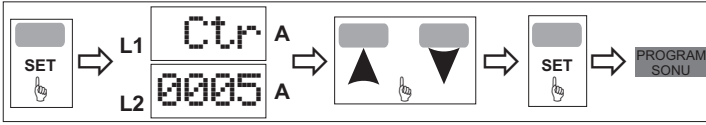
PM-3SA96 is designed to measure the current of 3 phase and PM-3SV96 to measure 3 phase voltage.

### 2. OPERATION OF DEVICE

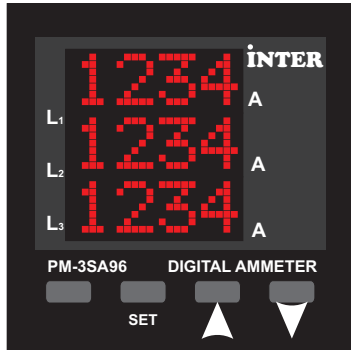
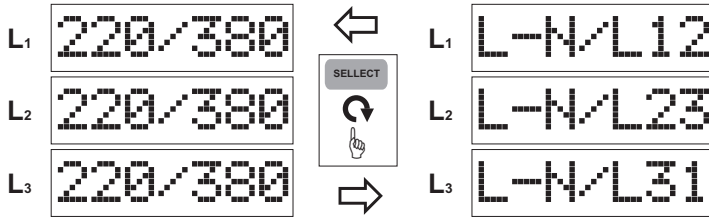
**2.1 PM-3SA96;** Wiring is connected as per the scheme-3. Enter the correct CT value for a smooth operation. 3 phase current values are displayed once the device is energized.

#### 2.1.1 Setting value of the CT ratio

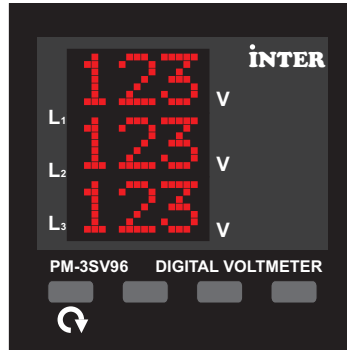
Press "SET" button. The "CTR" on the upper display and the CT value on the lower display are displayed. Adjust the CT primer value in between "0005A-10000A" via the use of direction buttons and then "SET" button is pressed for saving. The measured CT value is displayed up to 9999A as maximum. "U000" is to be displayed when CT value "CTR" is 10000A.



**2.2 PM-3SV96;** Wiring is connected as per scheme-4. The 3 phase voltage values are displayed once the device is energized. Selection is executed via the button "SELECT" in order to display phase-neutral and phase-phase voltage values. Each time the button pressed "L-N/L-N/L-N"(Phase-Neutral) or "L12/L23/L31"(Phase-Phase) values are displayed instantly. The selected parameters are monitored on the screen.

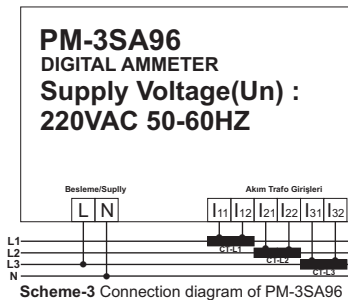


Scheme-1 Front Panel of PM-3SA96

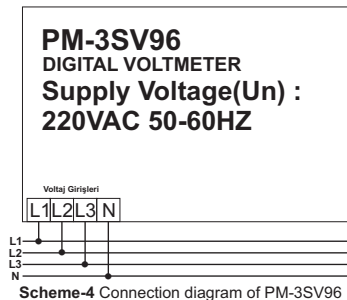


Scheme-2 Front Panel of PM-3SV96

### 3. CONNECTION DIAGRAMS



Scheme-3 Connection diagram of PM-3SA96



Scheme-4 Connection diagram of PM-3SV96

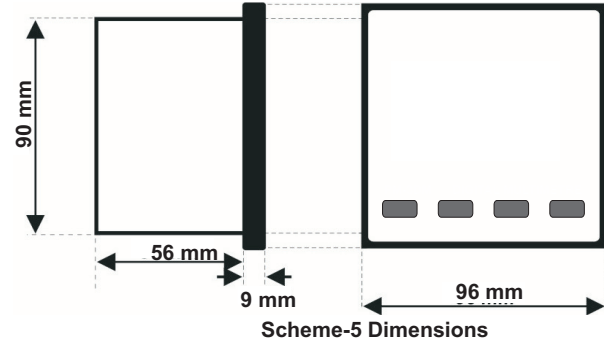
### 4. TECHNICAL SPECIFICATIONS

<b>Operating Voltage (Un)</b>	220VAC
<b>Operating Range</b>	(0,8 - 1,2) x Un
<b>Operating Frequency</b>	50/60Hz
<b>Power Consumption</b>	<3VA
<b>Current Transformer Ratio</b>	5/5A.....10000/5A
<b>Current Inputs(PM-3SA96)</b>	0,05A - 5,5A
<b>Accuracy</b>	± %1
<b>Display Type</b>	7 Segment Led Gösterge
<b>Operating Temperature</b>	-25°C ... +65°C
<b>Mounting Type</b>	Panoya Montaj
<b>Dimensions</b>	96x96x65
<b>Protection Class</b>	IP 20
<b>Weight</b>	PM-3SA96 400 gr. PM-3SV96 360 gr.

### 5. SAFETY & WARNING INSTRUCTIONS

- Turn off power during connection/wiring.
- Check correct mains voltage/wiring terminal.
- Installation shall only be performed by qualified personnel.
- Do not use any solvent or alike for cleaning.

### 6. MEKANİK BOYUTLAR



Scheme-5 Dimensions

HANEL ELECTRONIC IND. CO.

Koza Mah. 1641. Sk. No:2-4 Esenyurt - ISTANBUL/TURKIYE

Phone: +90 212 879 07 74 Fax: +90 212 879 07 78

Web: www.hanel.com.tr E-Posta : hanel@hanel.com.tr